

Strux[®]

STRUX[®]

OUTPERFORMING EVERY OTHER DRIVE SYSTEM.

Our high-performance Strux[®] fasteners offer a stronger and more reliable assembly alternative to traditional clinch studs and nuts. Along with stud and nut applications, the STRUX[®] design can be applied to joints that require self-tapping fasteners. In most cases, a STRUX[®] fastening solution will yield significant time and cost savings when compared to welded or other staked fasteners.



FEATURES

- ▶ Heat treated to SAE grades, ISO classes or to your own specifications
- ▶ Displacement lobes
- ▶ Can be used where welding is impossible or undesirable, such as joining dissimilar materials, pre-coated sheets or high strength thin sheet materials
- ▶ Unlike spot welding, joints can be created in-die with clinch fasteners and automated installation equipment
- ▶ Can be installed after the painting or coating process without aesthetic damage
- ▶ Easy installation and simple visual inspection

BENEFITS

- ▶ May replace larger diameter, conventional weld or other non-heat treated studs
- ▶ Resist push-out and rotation during service
- ▶ Eliminates hazardous welding operations and provides a cleaner appearance than welded fasteners
- ▶ Improved centerline-to-centerline tolerances compared to weld studs and nuts
- ▶ Lowers in-place costs and maximizes assembly flexibility
- ▶ Cross-threading and other problems caused by coated or painted threads can be provided
- ▶ No distortion due to excessive heat and increased production rates when using progressive dies
- ▶ Improved product and joint integrity

VARIATIONS

- ▶ Strux[®] Stud
- ▶ STRUXTITE[®] Nut
- ▶ Strux[®] Nut
- ▶ PREVALOK[™]

CONVERTING TO STRUX[®] OFFERS SAVINGS

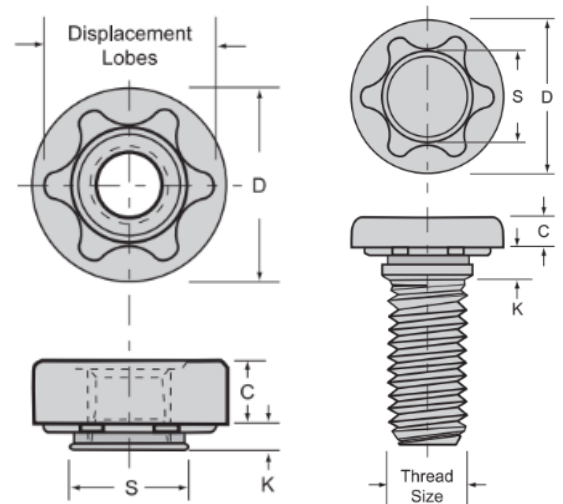
Camcar Innovations has developed a line of products to meet the increasing demand for thin sheet steel and aluminum sheet applications. Our Strux[®] line of clinch fasteners provides an external or internal thread in sheet metal stack-ups-applications too thin to ensure adequate thread engagement using screws or bolts and in situations where welding is impossible or undesirable.

Strux[®] Clinch Studs - External Threads

- Cost-effective, high performance alternative to other staked or welded products

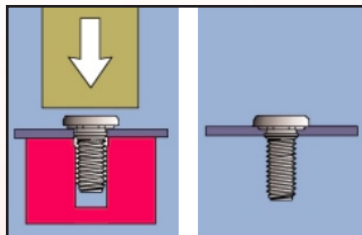
Strux[®] Clinch Nuts - Internal Threads

- A unique configuration offers unmatched product strength and reliability when compared to competitive products



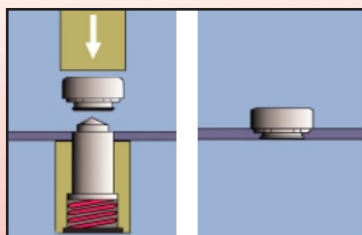
INSTALLATION OF STRUX[®] STUDS AND NUTS

Strux[®] Clinch Studs



The stud end is fed through a punched or drilled hole and into a lower die. A punch then applies force to the stud. As this occurs, the retaining ring passes through the hole. As pressure is applied, the displacement lobes are seated, forcing the engagement material into the retaining groove.

Strux[®] Clinch Nuts



Installation of the Strux[®] Clinch Nut is essentially the same as the Strux[®] Clinch Stud. The retaining ring passes through the hole and as the displacement lobes seat, the engagement material flows into the retaining groove. However, the nut is supported by a spring loaded finder to ensure proper nut set. As the nut is staked, the finder retracts.